

Low-Cost Truck Weighbridge The Mobile Model

Mobil modular surface-mounted steel weighbridge

Shallow, only 31 cm high, compact modular weighbridge

Robot-welded steel bridges in dismantling, lacquered modules

Bridge module, run-on ramps and support plates completely in high quality steel

With short run-on ramps – only 3,40 m long!

Version with analogue or optional with modern, digital load cells

Rugged structure, yet may still be implemented flexibly

Easy assembly, no major on-site preparatory work required

Verifiable, approved throughout Europe, precision class III,
CE-symbol, fulfils OIML recommendations, according to DIN 8119



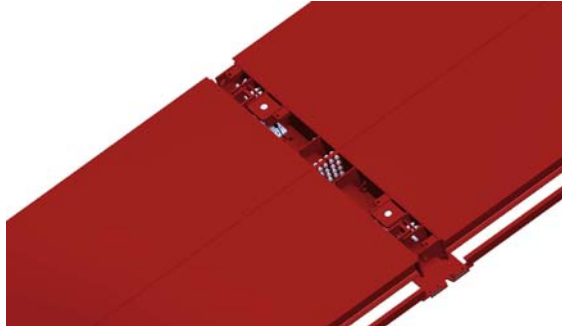
Ideal for:

- Easy, low-cost assembly
- Temporary use (agriculture, building trade etc.)
- Also, of course suitable for continuous implementation
- optional available with in situ concrete run-on ramps and in situ concrete foundation



May be easily transported and relocated due to modular design.

Easy access for maintenance and cleaning by removing the cross covers. The load cells are conveniently accessible from above.



The scale may not be driven over from side to side !

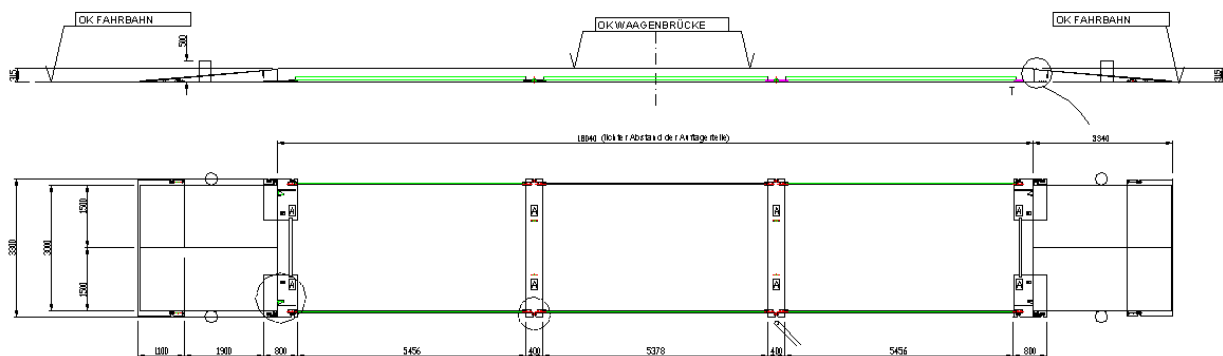
Version with analogue or optional digital load cells



Technical Data

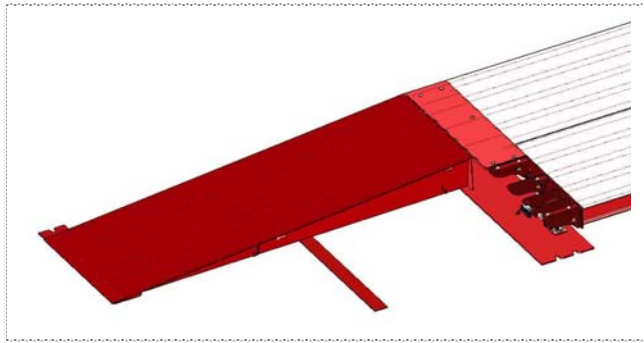
Standard bridge sizes	Weighing range (No. of load cells)	Load bearing capacity to DIN 8119	No. of modules (Module lengths)
L x W			
12 x 3 m	40,000 kg (6)	60,000 kg	2 (2 x 6 m)
18 x 3 m	60,000 kg (8)	60,000 kg	3 (3 x 6 m)

Example / dimensions for 18 m scale



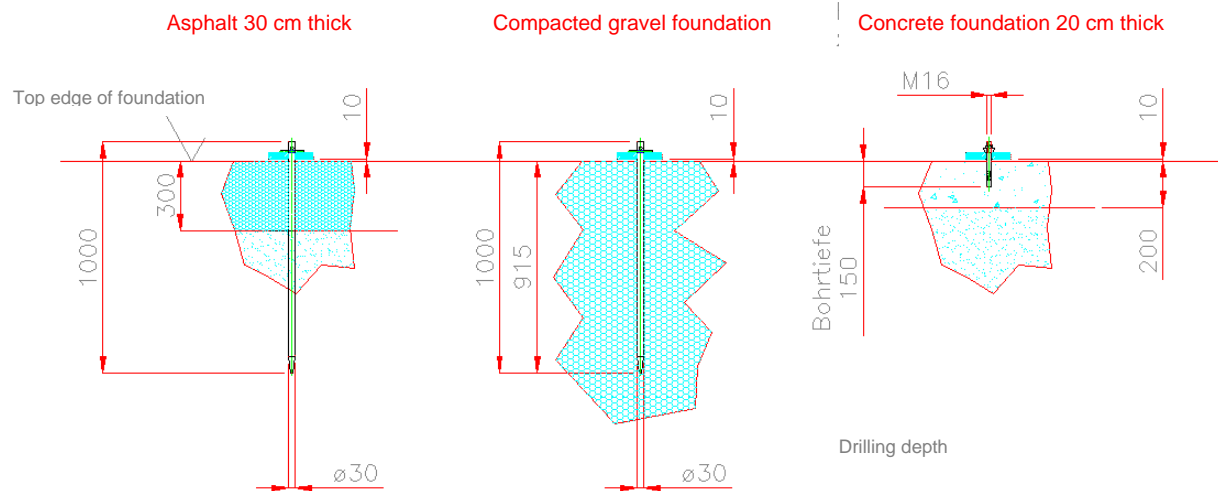
Several securing variants possible due to steel plate construction:

- ✓ on load-bearing asphalt
- ✓ on compacted, sufficiently supporting gravel and sand bed
- ✓ concrete surfaces,



Required ground levelness: 1 cm in relation to the entire mounting length on the longitudinal and transverse plane.

Dimension 10 mm required for compensating layer for full-surface support of the foundation plates on any bases



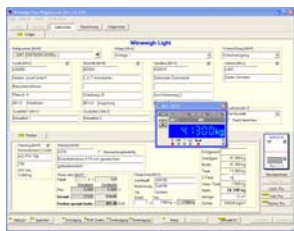
Options:

- Side guides as toppling protection, secured to the weighbridge



- Tilted mounting (up to 2,5 % longitudinal or transverse gradient)
- Assembly with in situ concrete run-on ramps and in situ concrete foundation
- Version with digital load cells

In addition we offer many extras such as weighing printers, ID systems, remote displays, radio remote, driver self service terminals, traffic light controls, barriers, video control etc.



With our "DWT" series digital weighing terminals and perfected software, the mobile model truck scale is transformed into a fully electronic, efficient weighing system.



-Technical data subject to modification without notice-

Pfister Waagen Bilanciali GmbH
Linker Kreuthweg 9 – D-86444 Affing-Mühlhausen (Germany)
T: +49 8207 95899-0 – F: +49 8207 95899-29
E: sales@pfisterwaagen.de - Internet: www.pfisterwaagen.de

**Product information
no. 1280d**

06/2011