

Iron bar scale PFL-TC

Saves time and money!

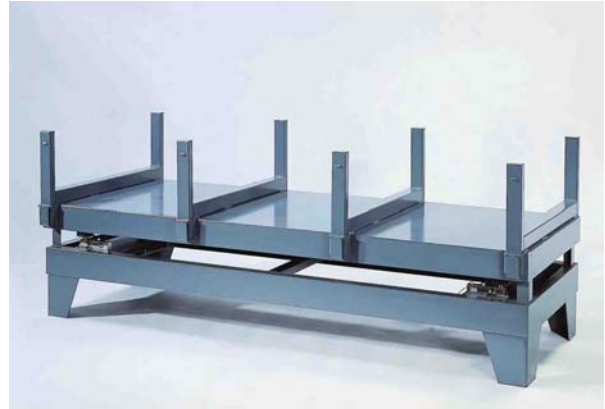
Platform scale specially designed for steel sheet and iron bars

Verifiable to precision class III

CE-approval to EU guideline 90/384

Available in a single or multi-range version

Extensive control and memory options



Rugged and reliable

With its reinforced and lacquered steel parts, the PFL-TC iron bar scale is ideally designed to satisfy the special requirements entailed in the weighing of long and heavy steel bars.

The cross-pieces supporting the material are furthermore protected against wear by beechwood or plastic strips.

Safe

Side supports (anti-slip) prevent the material to be weighed slipping around or falling off. They may be lowered at one side for loading and unloading.

Precise

Four high-precision high grade steel load cells (protection class IP 67) are mounted under the weighing platform to record the weight. The former are protected against impact and overloading by special rubber-buffered elastomer bearings.

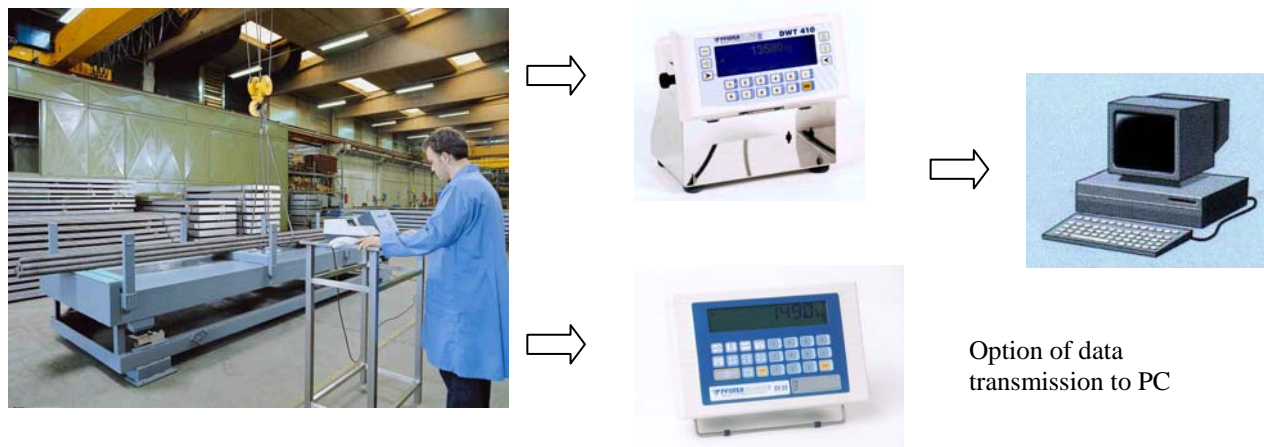
Variable and versatile

Optional extensions for the long sides are available for especially long material. These may be extended by up to 1 m. If required they may be protected against wear by a plastic web.



Versatile connection options

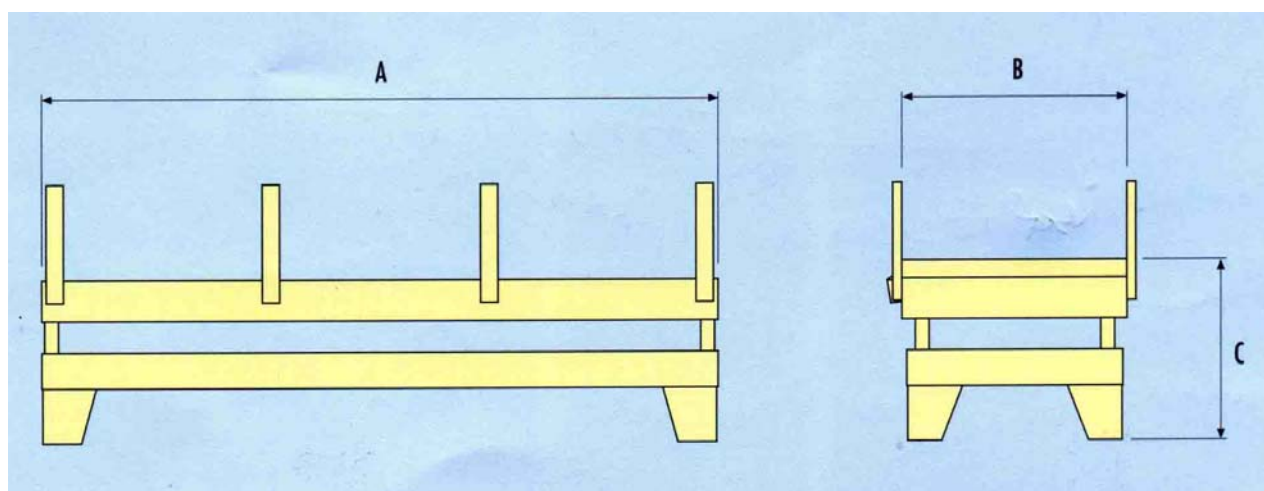
permit weight capture /recording and distribution to higher-level systems.



Connection to all Pfister DWT and EV weighing terminals.

Technical data

PFL-TC Model	Platform A x B (m)	C Mm	Standard version		Multi-range version	
			Weighing range (kg)	Increment (g)	Weighing range (kg)	Increment (g)
200.100	2 x 1	790	1500	500	600/1500	200/500
200.100	2 x 1	850	3000	1000	1500/3000	500/1000
300.100	3 x 1	770	3000	1000	1500/3000	500/1000
300.100	3 x 1	800	6000	2000	3000/6000	1000/2000
300.150	3 x 1.5	775	3000	1000	1500/3000	500/1000
300.150	3 x 1.5	800	6000	2000	3000/6000	1000/2000
400.100	4 x 1	815	3000	1000	1500/3000	500/1000
400.100	4 x 1	840	6000	2000	3000/6000	1000/2000
400.150	4 x 1.5	820	3000	1000	1500/3000	500/1000
400.150	4 x 1.5	840	6000	2000	3000/6000	1000/2000
400.150	4 x 1.5	785	10000	5000	6000/10000	2000/5000



- Subject to technical alterations-

Pfister Waagen Bilanciai GmbH

Linker Kreuthweg 9 – D-86444 Affing-Mühlhausen (Germany)
 T: +49 (0) 82 07 / 9 58 99 -0 – F: +49 (0) 82 07 / 9 58 99 -29
 E: sales@pfisterwaagen.de - Internet: www.pfisterwaagen.de

Product information
 Nr. 1523

08/2006