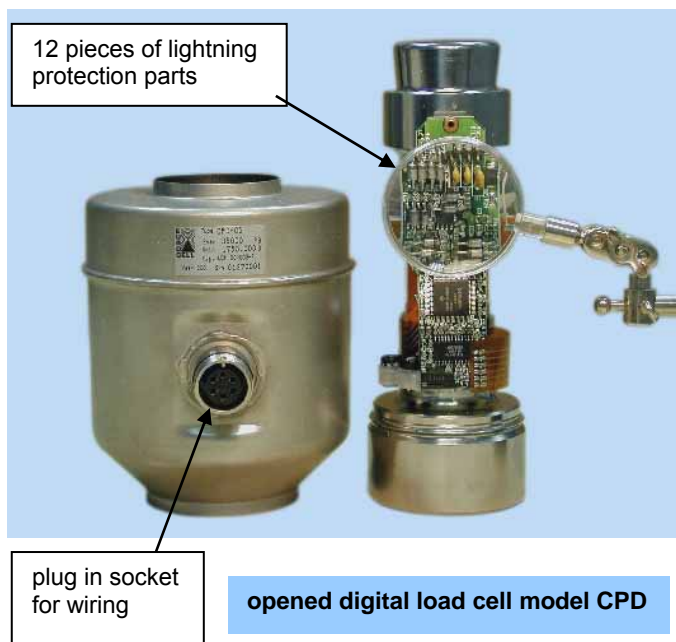


Digital Load Cell CPD

 Also available ATEX certified for gas and dust hazardous areas

- for highest claims to accuracy and best service
- available load capacities 20 / 35 / 50 t
- approved up to 6000 divisions according 90/384 EEC
- complies with OIML-recommendation R60
- stainless steel housing
- plug in socket for wiring
- EMC-approved
- integrated active and passive lightning protection
- self-adjusting function
- data transmission via digital output RS 485
- digital temperature compensation
- protection class IP 68 (DIN 40050)
- operating temperature range -30°C up to $+70^{\circ}\text{C}$



Load cell junction box for digitale load cells CPD

- Protection class IP 68
- with additional lightning protection for easy service
- with 8 plugs for digital load cells with bus connectivity



Load cell junction box for use in safe area

Safety barrier with feeder for use in safe area

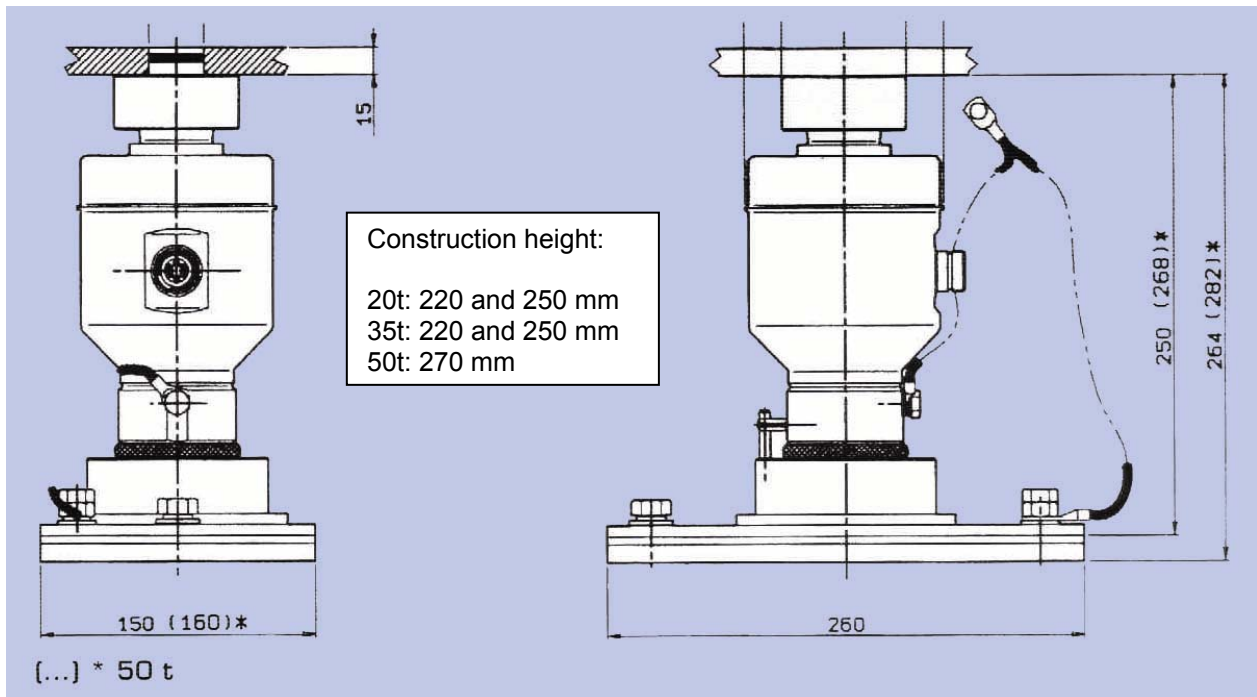


4 pieces of lightning protection parts



Accuracy class	C	C1	C2	C3	C4	C5	C6
Maximum Capacity (E _{max})	(t)	20 / 35 / 50					
Max. N° divisions (n _{max}) nLC		1000	2000	3000	4000	5000	6000
Ratio γ (E _{max} / V _{min})		5000	7000	18000	18000	20000	20000
Min. dead load (E _{min} /E _{max})	% E _{max}	0,5					
Safe overload	% E _{max}	150					
Ultimate overload	% E _{max}	≥ 300					
Safe sideload	% E _{max}	10					
Sensitivity	(S)n°	200000 ± 0,1 %					
Zero balance	% S	≤ 0,5					
Combined error	% S	≤± 0,030	≤± 0,023	≤± 0,020	≤± 0,0173	≤± 0,0140	≤± 0,0115
Non-repeatability	% S	≤± 0,080	≤± 0,040	≤± 0,040	≤± 0,0300	≤± 0,0240	≤± 0,0200
Temp. effect on min. dead load	% S / 5°K	≤± 0,016	≤± 0,0114	≤± 0,0044	≤± 0,0044	≤± 0,0040	≤± 0,0040
Temp. effect on sensitivity	% S / 5°K	≤± 0,0132	≤± 0,0066	≤± 0,0057	≤± 0,0045	≤± 0,0036	≤± 0,0030
Min. dead load (E _{min})	% S	≤± 0,050	≤± 0,025	≤± 0,0167	≤± 0,0125	≤± 0,0100	≤± 0,0083
Creep in 30 min.	% S	≤± 0,056	≤± 0,028	≤± 0,028	≤± 0,0210	≤± 0,0168	≤± 0,0140
Creep from 20 to 30 min.	% S	≤± 0,0105	≤± 0,0053	≤± 0,0053	≤± 0,0039	≤± 0,0032	≤± 0,0025
Nominal temperature range	°C	-10 / +40					
Operating temperature range	°C	-30 / +70					
Storage temperature range	°C	-40 / +80					
Data transmission / Interface		RS 485					
Protection class		IP 68					
Weight	kg	Ca. 3					
Material / Housing		Stainless steel					
Protection class ATEX load cell		 II 1 GD [Ex ia] IIC T5 IP 66 T100°C					
Protection class ATEX safety barrier		 II (1) GD [Ex ia] IIC					

Drawing of load cell CPD without plug



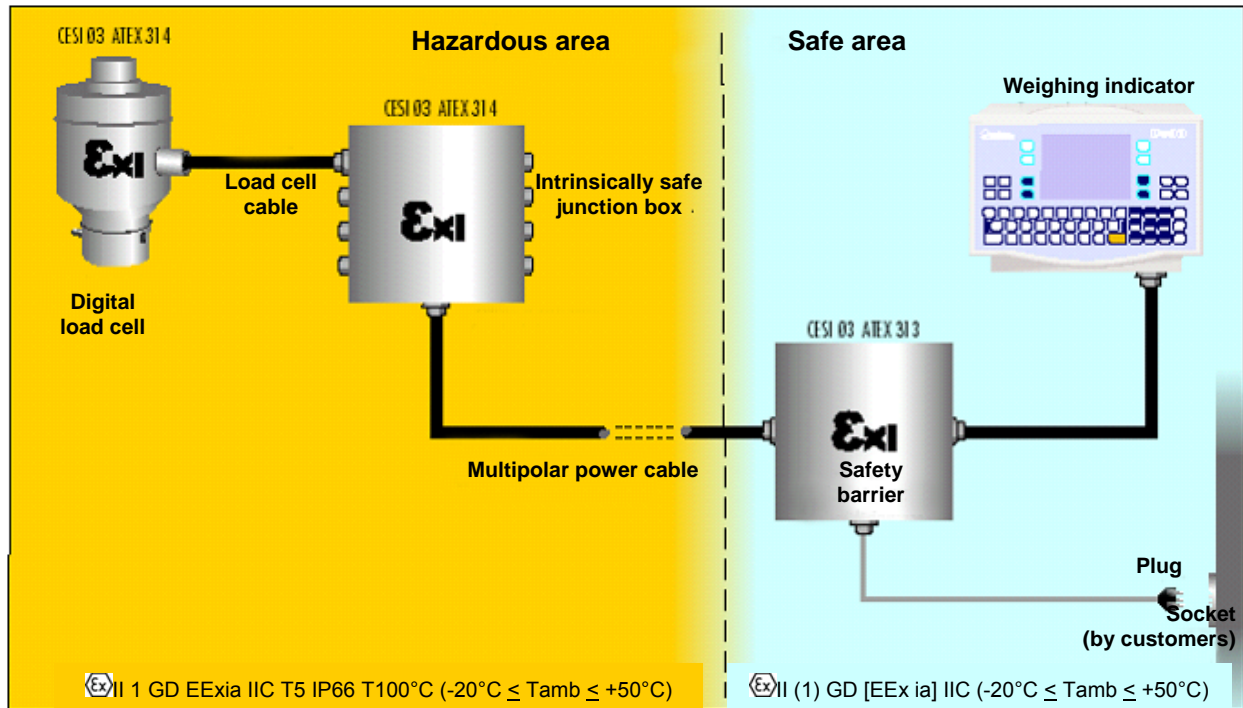
Our technology – your benefit

- In the standard configuration of our digital load cells the active and passive lightning protection is integrated
- Additional protection against damage caused by gnawers offer optional gnawer protected cables between load cell, junction box and weighing indicator



- Damaged cable? No problem! Plug connection for simple cable replacement . Thereby no re-calibration required!

CPD load cell used in hazardous area



Accessories

- Plug in socket: straight or with angle 90°
- Available with different cable lengths: 5m, 12m, 18m



- Subject to technical alterations -

<p>Pfister Waagen Bilanciai GmbH Linker Kreuthweg 9 – D-86444 Affing-Mühlhausen (Germany) T: +49 (0) 82 07 / 9 58 99 -0 - F: +49 (0) 82 07 / 9 58 99 -29 E: sales@pfisterwaagen.de - Internet: www.pfisterwaagen.de</p>	<p>Product information Nr. 1111g 08/2013</p>
---	---

